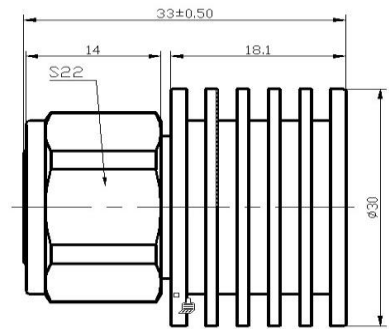




## Mini DIN 4.3/10 Male

### 2W Terminator 'Dummy Load'



#### 1. Electrical Performance

Parameter	Value
Frequency range	DC to 3GHz
Impedance	50±1.5Ω
VSWR	≤1.20
Power rating	2W
Connector Type	Mini Din 4.3/10-Male
Application	Indoor

#### 2. Mechanical Performance

Parameter	Value
Waterproof degree	IP65
Moisture resistance	IP65
Mating cycles	≥500
Outer Dimension	Φ 30mm × 33mm

#### 3. Environment Performance

Parameter	Value
Operating temperature range	-55°C~+125°C
Storage temperature range	-55°C~+125°C

#### 4. Material &Plating

Connector parts	Material	Plating
Center conductor	Brass	Silver
Outer conductor	Brass	CuSnZn
Dielectric	PTFE	/
Radiator	Aluminum	/

#### 5. Packing

Standard	1 pc/plastic bag in separate carton
----------	-------------------------------------