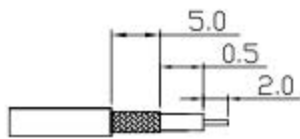
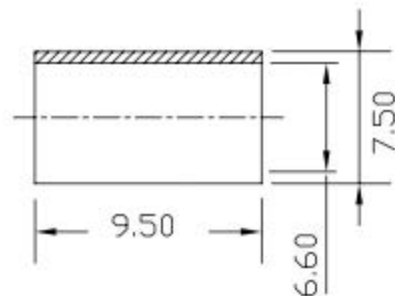
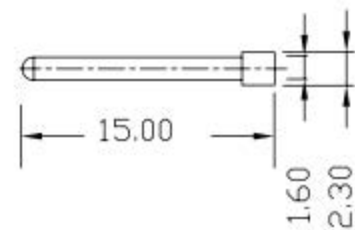
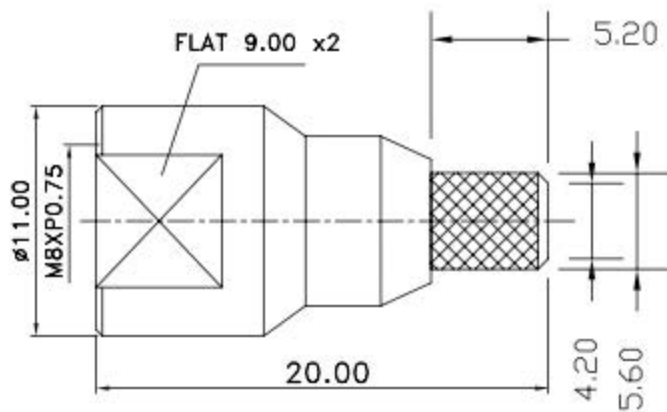



REVISIONS				
ZONE	LTR	DESCRIPTION	DATE	APPROVED
	R5	REVISED		



stripping dimensions

UNLESS OTHERWISE SPECIFIED: DIMENSIONS ARE IN MILLIMETERS TOLERANCES DECIMALS ANGULAR .025 ± 2TOL & 2° TOL ANGL .010 ± 3TOL DO NOT SCALE DRAWING	CONTRACT NO.					
	DRAWN	DATE				
	MATERIAL:		FME Male			
	ENGINEER	DATE				
FRESH	APPROVED	DATE	SIZE <b>B</b>	CAGE CODE	DRAWING NO. FMEML240C	REV 1
FILE:	APPROVED	DATE	SCALE 1/1	SHEET 1		