

**RF Low Loss Cable
Ethernet
Fiber Solutions**

HIGHLIGHTS

- No punchdown required
- Lifetime Guarantee
- Super easy installation!
- Lacing Bar Included
- 19"W x 5"D x 1.75"H (1U)
- 24,32 and 48 Ports Available
- F-81 plugs on front and back
- Constructed with Steel Material, Black color

TXM Female to Female F81 Patch Panels



1 AND 2 RU FEMALE TO FEMALE 75OHM F81 PATCH PANELS

- Loaded with (48) Black Nickel Plated F In line Connector Keystone Jacks
- Provides ultra-sharp video clarity
- Rear threaded F-Type connectors for secure connections with both RG6 and RG59 coaxial cables
- Provides a clean and neat appearance for installation
- Compatible with all standard keystone modular jacks for easy custom design changes for mix and match.
- UL listed



**RF Low Loss Cable
Ethernet
Fiber Solutions**

HIGHLIGHTS

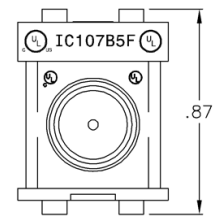
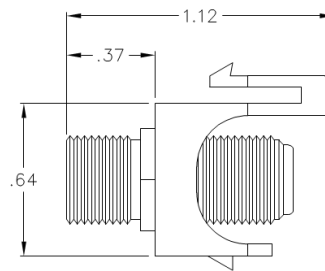
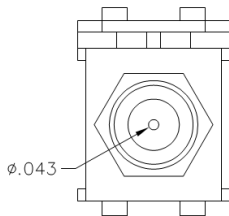
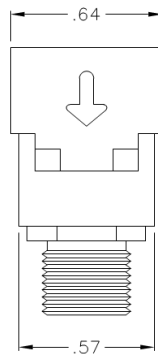
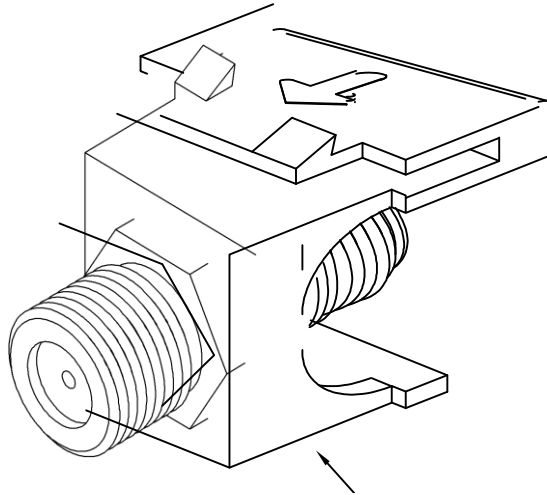
ELECTRICAL:

1. Return Loss of -20 dB Max
2. Character Impedance Rated 75 Ohm
3. Insulation Resistance > 10 MOHM
4. Upper Frequency Level Rated to 2GHz

F-TYPE CONNECTOR:

1. Bronze with Nickel Plating
2. Holding Force > 80 Grams
3. Connector Threads: 3/8-32 UNEF-2A
4. Insulator Color: White

TXM Female to Female F81 Patch Panels



Construction	Steel
Color	Black
Wiring	Inline, Feed-Through
Connectors	F-81 on front and back
Size (1 RU Panels)	19"W x 4.5"D (48.3 x 11.4 cm), x 1.75" (24 and 32 port panels)
Size (2 RU Panels)	19"W x 4.5"D (48.3 x 11.4 cm), x 3.5" (48 port panels)