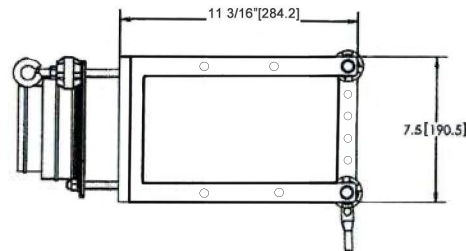
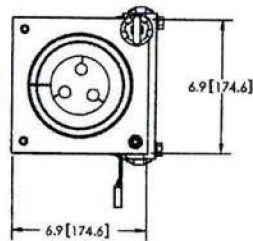
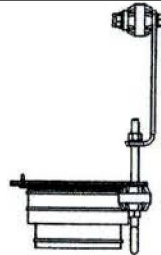
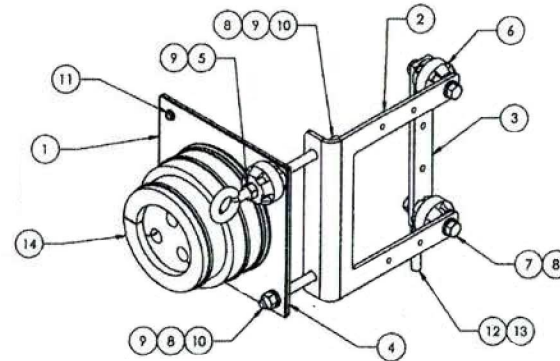


NOTES: 1.0 ALL METRIC DIMENSIONS ARE IN BRACKETS.

REFERENCE TABLE

ITEM	PART NO	DESCRIPTION
1	EP-1X1L-GY	1 PORT 1X1 ENTRY PANEL 7" X 7" GRAY
2	EP-BRKT-3G-UP-ENTRY-KIT	7-1/2" X 11-3/16" ENTRY PORT BRACKET
3	BB-STD-1-7-1/2	STANDARD 1" X 7-1/2" COPPER BUSBAR
4	EP-GSKT-7	ENTRY PANEL GASKET 7" X 7" NEOPRENE
5	EYEBOLT	3/8-16 EYE BOLT 3/4" THREAD
6	INSULATOR	1-3/8" STANDOFF INSULATOR 3/8-16
7	HEX HEAD CAP SCREW	3/8-16 HEX HEAD CAP SCREW STEEL L=3/4 SS
8	LOCK WASHER	3/8" LOCK WASHER HELICAL SPRING SS
9	HEX NUT	3/8-16 HEX NUT 3/4" WIDE SS 316
10	THREADED ROD	3/8-16 THREADED ROD X 4" SS
11	SELF DRILLING SCREW	1/4-14 HEX WASHER HEAD SELF DRILLING SCREW 3/4"L
12	LUG	2 HOLE LUG STR LONG BELL 6 AWG 3/8" BLT 1" SP BLUE FLX
13	FLAT WASHER	3/8" FLAT WASHER STAINLESS STEEL 7/8" OD SS
14	BOOT KIT	4" BOOT KIT WITH 4 HOLE CUSHION INSERT FOR 1/2"



TITLE			
Entry Panel Arrester Kit 1 Port 7"x7"			
SIZE	SCALE	DOCUMENT NO.	
C	1:4	EP-1X1L-GY-UP-KIT	
DRAWING			SHEET
VERSION	STATUS	REVISION	1 of 1