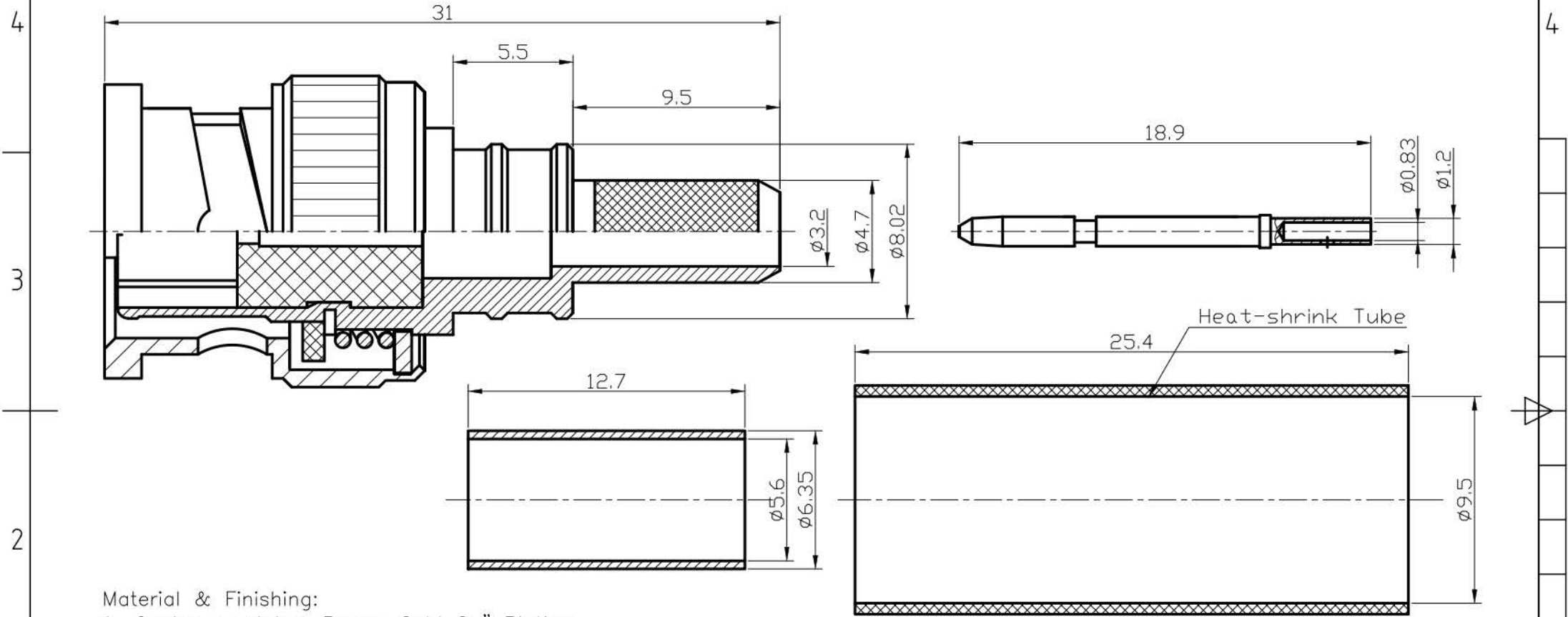


RevNo	Revision note	Date	Signature	Checked
00	Sketch Only	03/02/2019		



Material & Finishing:

- Center conductor: Brass, Gold 2u" Plating
- Insulators: PTFE
- Body : Brass, Albaloy 80u" Plating
- Other Metal Parts: Brass, Albaloy 80u" Plating
- Gasket: Silicone Rubber


Electrical Data:

- Impedance: 75 Ohms
- Frequency: 0~4GHz
- VSWR: 1.2Max

RoHS Compliant.

ALL DIMENSIONS ARE IN MILLIMETERS AND [INCHES]

Unit:mm

		Title			
		BNC MALE Straight solder Pin for LMR-200-75 Cable			
Drawn by	Ckd by	Appd by	Date		
			03/02/2019		
Scale	Sheet 1 of 1		BNCM-L200-75-CS		
4:1					

UNLESS OTHERWISE NOTED ALL SURFACES FINISHED TO $\sqrt{64}$ MAX.		
ALL TOLERANCES ARE:		
DECIMALS	FRACTIONS	ANGLES
x ± 1.0	±1/64	x' ± 1'
x.x ± 0.5		x'x' ± 0.5'
x.xx ± 0.1		

THESE DRAWING & SPEC. ARE THE PROPERTY OF TXM AND SHALL NOT BE REPRODUCED, OR COPIED OR USED AS THE BASIS FOR THE MANUFACTURE OR SALE OF APPARATUS OR DEVICES WITHOUT THEIR EXPRESS WRITTEN CONSENT.