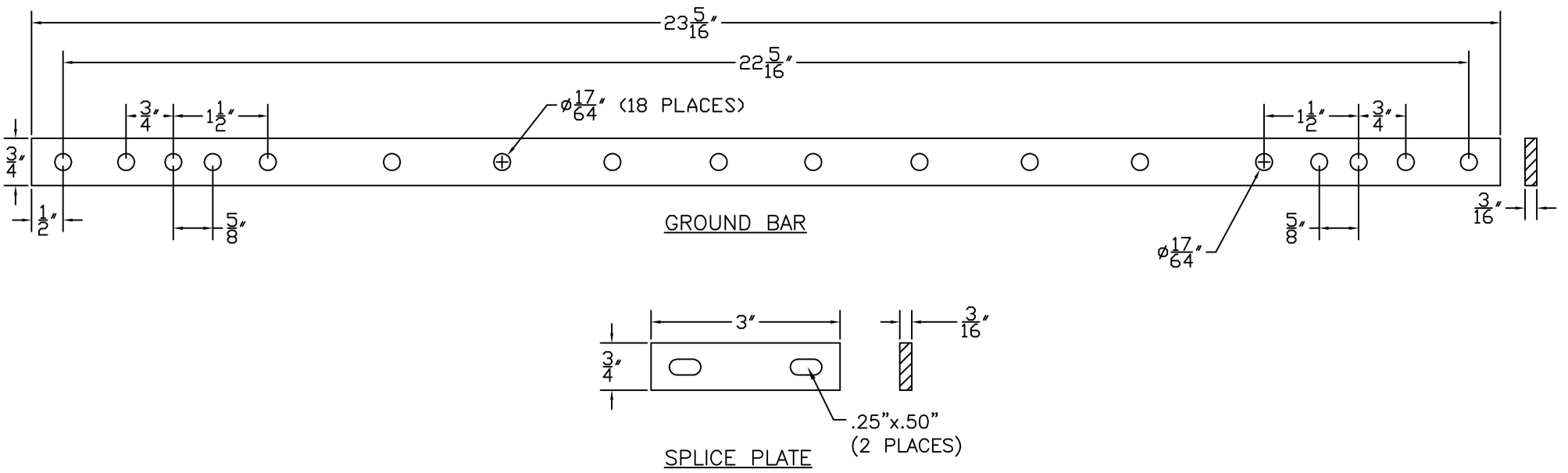


PARTS LIST		
ITEM	QTY	PART DESCRIPTION
1	1	GROUND BAR
2	1	SPLICE PLATE
3	1	HARDWARE KIT

HARDWARE KIT INCLUDES:  
  
N/A



WEIGHT: 1.2 LBS

APPROVED

AS DRAWN: \_\_\_\_\_  
 AS NOTED: \_\_\_\_\_  
DATE: \_\_\_\_\_

LET	REVISION	DATE	BY

TOLERANCES UNLESS NOTED  
FRACTIONAL ± 1/16  
.00 ± .030  
.000 ± .010

\_ UNIVERSAL GROUND BAR \_

DRAWN BY: NMB		REVISION: —
CHECKED BY:		SCALE: —
DATE: 01.26.16		SHEET: —